

# CR-CAT5202/04B

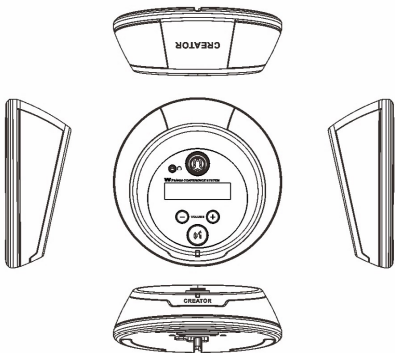
## Full digital conference discussion unit



Conference discussion chairman unit  
CR-CAT5202B



Conference discussion delegate unit  
CR-CAT5204B



Size(mm):  
φ=165, H=64

### Product overview

The CR-CAT5202/4B conference unit adopts special design to ensure the machine is stable and durable. It is easy to integrate with any meeting room.

The CR-CAT5202/4B is a full digital conference system unit which supports the twisted pair to be daisy chain connected.

### Features

- Heart-shaped directivity capacitance pickup has double color indicating light. Speaking as red, applying as green.
- With loudspeaker, earphone jack and a volume adjusting buttons.
- With howling suppression function, when microphone is turned on, the native speaker automatically shut down.
- Equipped with a backlit LCD screen, which can display microphone on/off status, ID settings, and other information;
- Chairman unit has priority function to full control meeting order. Connection position of chairman unit is not restricted.
- Support non compressed audio transmission technology, the sampling rate of 48K, 20Hz-20KHZ bandwidth perfect sound.
- Support a variety of conference modes like FIFO, APPLY, NORMAL.
- Support the sign function.
- Adopting dual network interface handle connection.
- Adopting professional conference microphones with nut knob connectors for easy insertion and removal.

### Specifications

| The parameter name        | CR-CAT5202/04B                           |
|---------------------------|--|
| Maximum power consumption | 2.6W                                     |
| Bottom                    | Basement for pluggable microphone        |
| Earphone jack             | 3.5mm (0.14 inches)Stereo headphone jack |
| Connection interface      | RJ45                                     |
| Power of loud speaker     | 2W                                       |
| Earphone impedance        | >320hm~1k0hm                             |
| Cartridge type            | Capacitive heart type single direction   |
| Sensitivity               | -46dBV/pa                                |
| Frequency response        | 20Hz-20KHz                               |
| Input impedance           | 2.2K                                     |
| Signal-to-noise ratio     | >80dB                                    |
| Color                     | Black and silvery                        |

### System connection diagram

