

# CR-EHB150U2T

## 4K HDBaseT transmitter



CR-EHB150U2T

### Product overview

CR-EHB150U2T is a transmitter which can extend HDMI signal, bi-directional IR control signal and USB KVM signal to a distance up to 492ft / 150m (Long Reach Mode) via a single CAT6 cable. This product converts HDMI signal to standard HDBaseT signal and transmits it through LAN cable. It can easily control signal source device or display device from the remote end through bi-directional IR signal pass-through function. Video resolution is up to 4K2K@60Hz YUV 4:4:4. It also supports POC.

CR-EHB150U2T offers ideal solutions for homes, offices, digital entertainment centers, control centers, conference rooms, schools and corporate training environments, where require HDMI source and transmission over long distance.

### Features

- HDMI 2.0b and HDCP 2.2 compliant
- Support 18Gbps video bandwidth
- Support video resolution up to 4K2K@60Hz YUV 4:4:4
- With Mode DIP switch to select HDBaseT Mode & Long Reach Mode

#### HDBaseT Mode:

USB supports USB 2.0 transmission (support connecting with USB camera, USB flash drive and other devices); the audio & video signal transmission distance can be extended up to 328ft / 100m for 4K60

#### Long Reach Mode:

USB only supports HID (Human Interface Device) device; the audio & video signal transmission distance can be extended up to 492ft / 150m For 1080P or 394ft / 120m for 4K@60

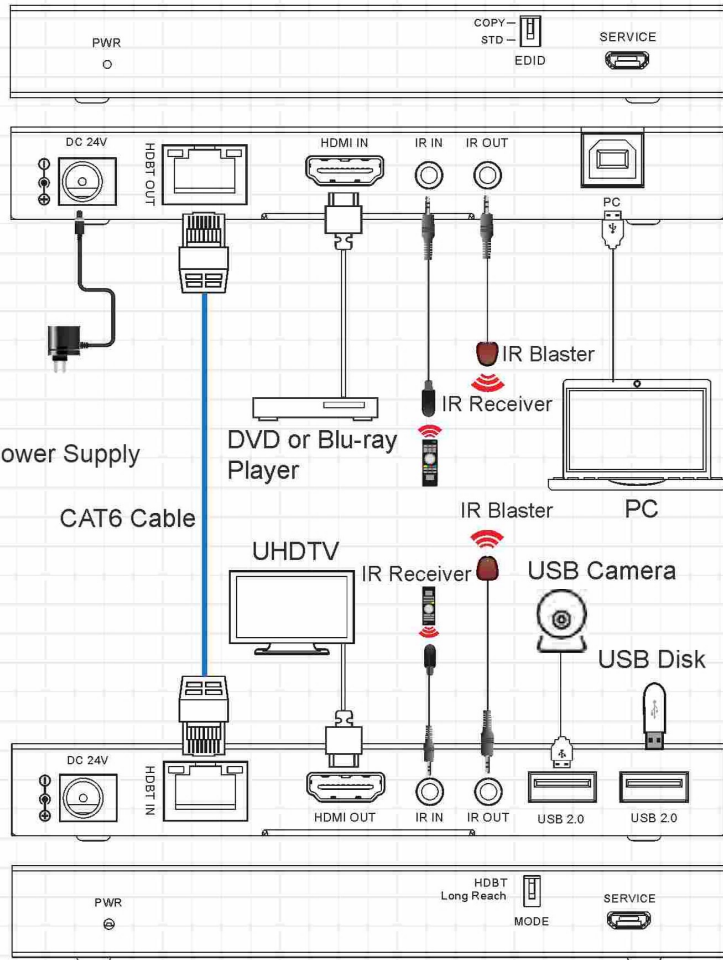
- Bi-directional IR signal and USB KVM signal pass-through are supported
- Support bi-directional POC (Power over Cable) function
- Advanced EDID management
- Compact design for easy and flexible installation

### Specifications

The parameter name	CR-EHB150U2T		
HDMI Compliance	HDMI 2.0b	Interface	Input: 1×HDMI IN [Type A, 19-pin female] 1×IR IN [3.5mm Stereo Mini-jack] 1×SERVICE [Micro-USB jack] 1×USB [USB-B, 4-pin female] Output: 1×HDBT OUT [RJ45] 1×IR OUT [3.5mm Stereo Mini-jack]
HDCP Compliance	HDCP 2.2		
Video Bandwidth	18Gbps		
Video Resolution	Up to 4K2K@60Hz YUV 4:4:4		
USB Compliance	USB 2.0		
IR Level	5Vp-p	HDR	HDR, HDR10, HDR10+, Dolby Vision, HLG
IR Frequency	Wideband 20K-60KHz	Audio Format	LPCM 7.1CH, Dolby True HD and DTS-HD Master
Input DDC Signal	5.0 volts/P-P	ESD Protection	Human body model — ±8kV (Air-gap discharge) &±4kV (Contact discharge)
Transmission Distance	HDBaseT Mode: 4K60 --328ft / 100m Long Reach Mode: 1080P--492ft / 150m 4K60 -- 394ft / 120m	Housing	Metal Enclosure
		Dimensions	140mm (W)×65mm (D)×18mm (H)
Color Space	RGB 4:4:4, YCbCr 4:4:4, YCbCr 4:2:2, YCbCr 4:2:0	Weight	Transmitter: 245g, Receiver: 249g
Color Depth	8/10/12bit	Power Supply	DC 24V/1A; Support bi-directional POC function
		Power Consumption	13.2W (Max.)

Diagram

**CR-EHB150U2T  
Transmitter**



**CR-EHB150U2R  
Receiver**