

CR-uSF COMP 300R

Multi-format Video Single Core Fiber Output



CR-uSF COMP 300R



Size(mm):
180(L)×105(W)×25(H)

Overview

CR-uSF COMP 300R is a single-core multimode fiber output supporting CVBS, S-VDIEO, YPbPr, VGA, HDMI and DVI signals. It can restore the received optical fiber signal to CVBS, S-VDIEO, YPbPr, VGA, HDMI, DVI and Audio signals. And it can work with CR-uSF COMP 300T or matrix. It supports RS-232, IR and USB (mouse and keyboard) signals transmission.

This product is mainly used in broadcasting and television projects, multimedia meeting rooms, big display projects, TV education, command and control center and other occasions.

Feature

- Support CV, YPbPr, VGA, DVI and HDMI signals transmission with a single-core multimode fiber.
- Support synchronous Audio, IR and RS-232 signals transmission.
- The transmission distance can be up to 300 + m.
- Support KVM function, it can transmit USB keyboard, mouse signal.

Specifications

Parameter name	CR-uSF COMP 300R
Protocol	HDMI1.3a, HDCP1.3, DVI 1.0
Pixel bandwidth	165MHz, full digital
Interface bandwidth	6.75Gbps (each color is 2.25Gbps)
Maximum support resolution	PC 1920*1080@60_24bit color depth HDTV 1920*1080@60_36bit color depth
Clock jitter	<0.15 Tbit
Rise time	<0.3Tbit (20%~80%)
Fall time	<0.3Tbit (20%~80%)
Signal type	DVI 1.0/IDMI 1.3a Standard DVI-D/HDMI full digital T.M.D.S signals
Connector	DVI-I
Signal strength	T.M.D.S. 3.3V pp
Mini/Max level	T.M.D.S. 2.9V/3.3V
Impedance	50 Ω
EDID	Use the system default EDID (support terminal EDID mapping to input)
Max DC offset error	+/-15mV
Recommended max input/output distance	Input less than 10 meters, in the 1920x1080 @60Hz(recommended use the certified HDMI/DVI special wire, such as Molex TX wire)

Specifications

Parameter name	CR-uSF COMP 300R	
Connector	DVI-I	
Signal type	CVBS/YPbPr	VGA
Gain	0dB	0 dB
Bandwidth	CV: 150MHz @ -3dB YPbPr: 350MHz @ -3dB	380 MHz
Differential phase error	0.1%, 3.58-4.43 MHz	
Differential gain error	0.1%, 3.58-4.43 MHz	
Signal strength	1 Vpp: CVBS 1 Vpp: Y of YPbPr 0.3 Vpp: PbPr/CbCr of YPbPr	0.63 Vpp~0.9 Vpp
Min/Max level	Analog signal: -2V/+2V	RGB: -0V/1.0V HV: -0V/5.0V
Input impedance	75 Ω	75Ω
Return loss	<-30dB@5MHz	<-30dB@5MHz
Connector	3.5 mm stereo audio port	
Gain	0 dB	
Frequency response	20 Hz ~ 20 kHz,	
Total harmonic distortion + noise	0.01% @ 1 kHz (At rated voltage)	
Signal to noise ratio (S/N)	>80dB at Vin=0 V	
Stereo separation	>80dB @ 1 kHz	
Common-mode rejection ratio (CMRR)	>75dB @: 20 Hz ~ 20 kHz	
Signal type	Stereo audio	
Impedance	input > 10 KΩ	Output > 50Ω
Maximum input level	3Vpp	
Gain error	±0.1dB @20 Hz ~ 20 kHz	
Connector	Input: 3.5 mm stereo audio port	output: 3.5 mm stereo audio port
Signal type	Digital signal	
Output level type	PLL level	
wavelength	850nm	
Input level carrier frequency	38KHz	
Connector	3.5 mm stereo audio port	
Signal type	Digital signal	
level type	RS-232 level	
Signal direction	Two-way communication	
Baud rate	9600bps	
Data bit	8 bits	
Stop bit	1 bit	
Parity bit	None	
Data stream	None	
Level delay	500 ns	
Level peak	+/-15V	
Connector	Female type A	
Signal type	IUSR signal	
Protocol	USB1.1	

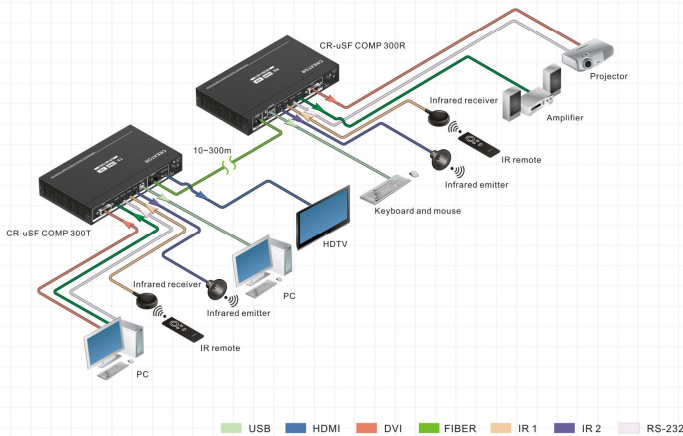
CR-uSF DVI 300R

DVI Single Core Fiber Video Output

Specifications

Parameter name	CR-uSF COMP 300R
Connector	SC connector
Fiber type	Single mode/multiple mode (optional)
Wavelength	Single mode: 1310~1620 nm/multiple mode: 850 nm (optional)
Interface bandwidth	Forward: 6.25 G bps Reverse: 3.125 G bps
Clock jitter	<0.15 Tbit
Rise time	<0.3Tbit (20%~80%)
Fall time	<0.3Tbit (20%~80%)
Recommended max input/output distance	Om3 multimode fiber: < 300 m, in 1920x1080@60Hz; Single-mode fiber: 2~20 km, in 1920x1080@60Hz
Power	Power adapter, 12VDC/2A
Maximum power	MAX 7W
Temperature	Store and work temperature: -20°C ~ + 70°C
Humidity	Store and work temperature: 10% ~ 90%
Mean time of failure	30,000 hours
Quality assurance	One year free warranty

System diagram



Overview

CR-uSF DVI 300R is a single-core multimode optical fiber input which support high resolution HDMI/DVI signals. It can revert the received fiber signals to the high resolution HDMI/DVI signal and audio signal, and can be used with CR-uSF DVI 300T or fiber optical matrix; It also support RS-232, IR passthrough and USB KVM signals.

It is widely used in panel display and large viewwall display, advertising project, automatic industrial control, medical equipment, security monitoring and multi-media education and other fields.

Feature

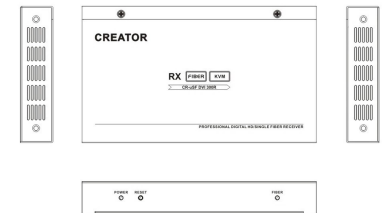
- Support high resolution of HDMI/DVI signal transmission by single core multimode fiber.
- With HDMI-Monitor video output function.
- Support transmission of synchronous Audio signals, IR signals and RS-232 signals.
- Transmission distance up to 300M.
- Support KVM function.



CR-uSF DVI 300R

Specifications

Parameter name	CR-uSF DVI 300R
protocol	DVI1.0,HDMI1.3a,HDCP1.3
Pixel bandwidth	165MHz, full digital
interface bandwidth	6.75Gbps, full digital(each color is 2.25Gbps)
Maximum support resolution	PC 1920x1200@60_24bit deep color; HDTV 1920x1080P@60_36bit deep color
Clock jitter	<0.15 Tbit
Rise time	<0.3Tbit (20%~80%)
Fall time	<0.3Tbit (20%~80%)
Signal type	DVI1.0/ DVI-D in the HDMI1.3a specification/ HDMI full digital T.M.D.S signal
Connector	DVI-D
Signal strength	T.M.D.S. 3.3V pp
Min/Max level	T.M.D.S. 2.9V/3.3V
Impedance	50 Ω
Max DC offset error	+/-15mV
Recommended max input distance	Less than 10 meters, in the 1920x1080P@60Hz(recommended use certified HDMI/DVI special wire, such as Molex TX wire)



Size(mm):
180(L)×105(W)×25(H)