

CR-WiFi6302/04B

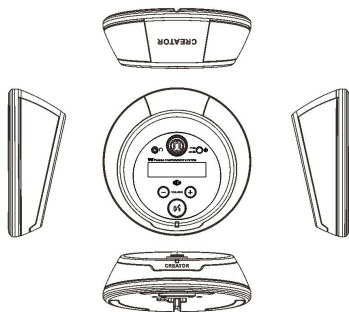
Full digital encryption WiFi conference discussion unit



Encryption WiFi conference discussion chairman unit
CR-WiFi6302B



Encryption WiFi conference discussion delegate unit
CR-WiFi6304B



Size(mm):
φ=165, H=64

Product overview

The CR-WiFi6302/4B wireless conference unit adopts special design to ensure the machine is stable and durable. It is easy to integrate with any meeting room. The built-in antenna design; each unit is built-in with high performance battery, providing continuous speech as long as 9 hours; 13 hours of standby time; all functions of conference unit can be completed with the unit panel buttons; WiFi encryption transmission technique ensures that the speech is free from unauthorized interception.

Features

- WiFi transmission technology and strictly digital protection ensure the privacy of the meeting, to avoid malicious eavesdropping and jamming.
- The non compressed audio transmission technology, the sampling rate of 48K, 20HZ-20KHZ bandwidth perfect sound.
- Using low delay technique, the output minimum delay from microphone to speaker is less than 5ms.
- Support for PC software microphone control.
- Built in with rechargeable lithium battery, the battery support 9 hours of continuous speech or 13 hour static standby.
- Work with the CREATOR HD camera tracking controller and HD infrared automatic camera to support mobile camera tracking.
- The chairman has priority control.
- Support a variety of conference modes like FIFO, APPLY, NORMAL.
- Support the sign function.

Specifications

The parameter name	CR-WiFi6302/04B
Maximum power consumption	2.6W
Connected component	Bottom
Earphone jack	3.5mm (0.14 inches) Stereo headphone jack
Power Supply	DC power input supply (can access after removing the battery group.)
Electrical specifications	
Frequency response	20Hz-20KHz
Earphone impedance	>320hm-1kOhm
Wireless index	Standard
Radio frequency range	IEEE Draft 2.0 802.11n
Transmit power	4.900-5.850GHz
Antenna gain	15dBm
	2dBi
Specifications	
Output voltage of the battery	7.2V
Battery capacity	3200MAH
Continuous speech time	9 hours
Static standby time	13 hours
Longest charging time	3 hours
Color	Black



System connection diagram

